



User Manual

The Amplink PDM is built on the strong reputation of the original PDM60 with added and improved features to make 12V power distribution even easier.



Package Contents

- 1 - Amplink Power Distribution Module
- 1 - Ground bus kit with cover
- 6 - 1/4" ring terminal – for use on accessory ground wires connected to the ground bus
- 1 - 6MM bolt & nut - used for connecting all accessory ground wires to the main ground bus
- 6 - Posi-Lock Connectors – for easy and secure connections of 14 or 16ga wires
- 3 - Posi-Tap Connector – for easy connection to any 18ga wire for triggering

Specifications

Operating Voltage: 6-20V for 12V systems

Total Current Capacity: 60 Amp maximum continuous

Outputs: 6 (20A Max) High side outputs

Inputs (Triggers): 3, voltage or ground configurable inputs

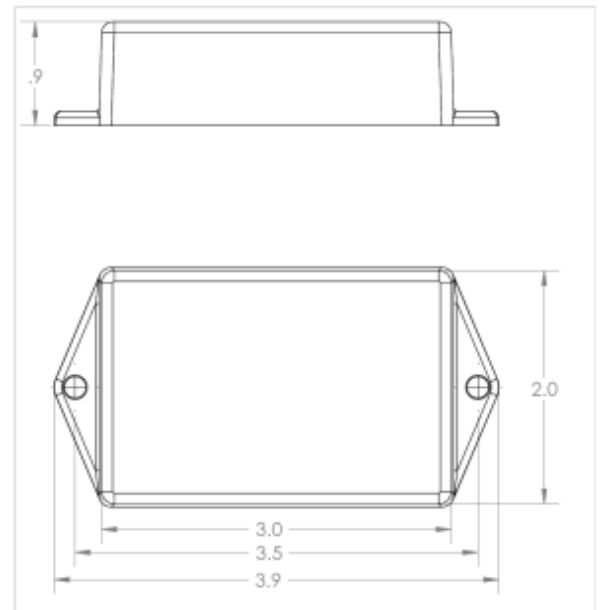
Operating Temperature: -40 to 185°F / -40 to 85°C

Connections: Sealed 18 inch hardwire leads

Water Protection: Fully encapsulated waterproof

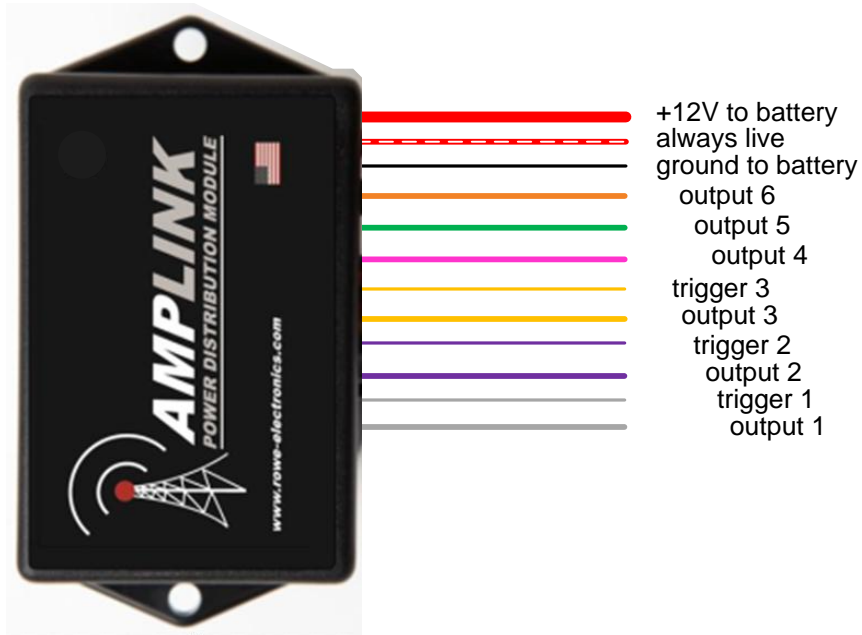
Weight: 10 oz / 284 g

Dimensions: 3.0 x 2.0 x 0.9 in. / 76.2 x 50.8 x 22.9 mm





Overview



Red 10 awg main +12V power wire

Connect directly to the positive pole of the vehicle battery. Always connect the + before connecting ground. For additional protection a high amperage fuse (not included) can be added between the Amplink PDM and the battery. To extend the length we recommend using 8 awg automotive crosslink wire.

Black 18 awg internal ground wire

Connect directly to the battery ground or suitable ground point like the ground buss cable included. Connect the Amplink ground wire after connecting the red + to the battery.

Triggers 20 awg input wires (white-T1, purple-T2, yellow-T3)

Connect 1, 2 or 3 triggers to achieve desired functionality. Trigger 1 (white) must be connected. These wires are stamped "TRIGGER1", "TRIGGER2", "TRIGGER3"

Outputs 14 awg (white, purple, yellow, pink, green, orange)

Connect these output wires to the +12V input wire of the accessory to be powered. Each output is stamped with "OUTPUT" and the corresponding circuit number.

Always Live 14 awg wire (red with white stripe)

The always live output, stamped "ALWAYS LIVE" allows low amperage battery charging through the Amplink PDM. Please note: There is no monitoring or protection on this always live circuit. It should be capped or taped off if not being used.



Installation Basics

1. Install the “Amplink PDM” App on your Bluetooth LE device (see App section)
2. Determine a suitable location to mount the Amplink PDM near the battery
3. Connect the Amplink to the battery, **red (+) wire first then the ground wire**
4. Open the App, wait for it to pair to the Amplink, then make your settings
5. The small green led on the Amplink means the bluetooth signal is being broadcast. If the light is not on, it will not pair to your device. It will time out after 1 minute if the unit is not triggered.
5. Connect the trigger wires and output wires using the Posi-connectors or other appropriate method
6. Activate the Amplink PDM using your trigger method

Note: Before completing a full installation of your Amplink, we recommend bench testing to ensure your setup functions as desired.

Amplink PDM App



The app is designed to be simple and straight to the point. It's intended to be a tool for programming and monitoring the output status only. The app has four pages:

Monitor – shows the status of each of the 6 outputs, when paired to the Amplink PDM

Setup – access each output individually to setup the behavior

Triggers – access each of the 3 input triggers to setup the behavior

Information – user manual, updates and product information

1. Load the Amplink PDM app
2. Connect the Amplink PDM power and ground wires to a 12V battery and enable Bluetooth on your mobile device.
3. See specific instructions on page 4 for initial pairing of Android or Apple devices



Never interact with the app while operating a vehicle.



Pairing Instructions for Apple devices

1. Ensure your Amplink PDM is powered on as indicated by the green LED
2. Open the App and wait for it to ask for pairing permission, click ok
3. Wait for pairing confirmation
4. Once paired, you can change the setup or begin monitoring the Amplink PDM
5. Close the App completely when finished. Trying to re-pair with an old session will not work.

Pairing Instructions for Android devices

1. Ensure your Amplink PDM is powered on as indicated by the green LED
2. If this is your first time connecting a Bluetooth device to the Amplink PDM proceed to step 3, or skip to step 9 if you've already setup your device to pair with the Amplink.
3. Open "Connections" in the Settings menu of your device
4. Turn on Bluetooth and open the Bluetooth settings
5. Scan for new devices
6. When the scan completes, select Amplink from the list of available devices to begin pairing
7. Once paired, Amplink will now show as "paired devices"
8. Exit the settings menu and return to the home screen
9. Open the Amplink app and wait for it to find the paired Amplink PDM
10. Once paired, you can change the setup or begin monitoring the Amplink PDM.



Monitor The app contains four pages; Monitor, Setup, Triggers and Information. The app will always open to the Monitor page. The colored bars match the wire color of the corresponding output on Amplink PDM. The output status is indicated by either a green dot for ON, red dot for fault, or gray dot for OFF. There is nothing to tap or change on the Monitor page.



Triggers In the Triggers page you can setup the input triggers. At least one trigger must be active and set to “voltage (+ve)” or “ground (-ve).” If using multiple triggers select the input signal they will respond to, choose either +12V (+ve) or ground (-ve). Any unused triggers should be set to disabled.



Setup The Setup page is where you will make Changes to the output settings including; output name, amperage limit, delay on, delay off, trigger logic (and/or). Tap the output name to open the output configuration screen. Tapping <Back will save and exit the configuration screen.

Name - tap the field to open the keyboard.

Amp limit - tap the field and scroll.

AND Triggers – tap and select from the list of active triggers

OR Triggers – tap and select from the list of active triggers

Delay On and Delay Off – tap and scroll to change the time, then tap “ok”

Test – tap to turn Output on or off, exiting the screen will turn off the output.



Trigger logic examples:

To setup all outputs to respond to an ignition trigger, select T1 in the “OR Triggers” and leave “And Triggers” set to None.

Other Examples:

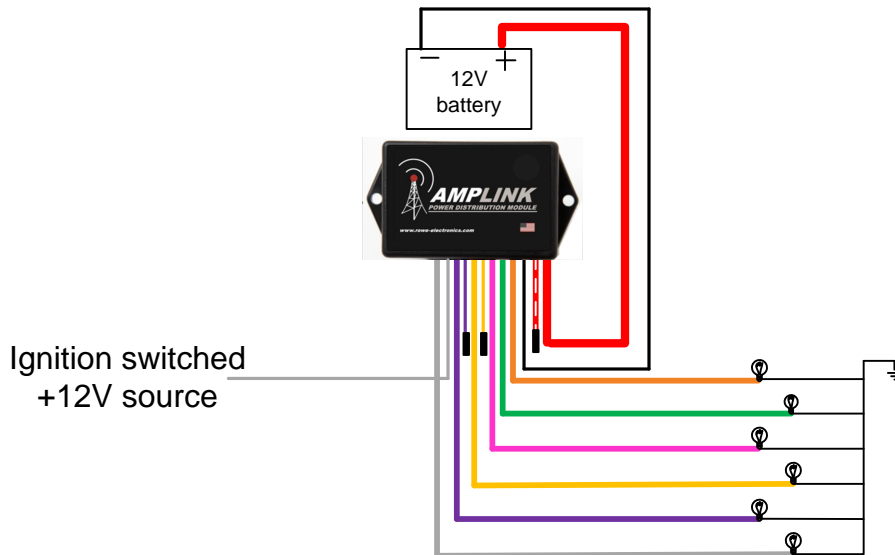
AND Trigger set to T1,T2 – the output will turn on when both Trigger 1 and Trigger 2 are activated.

OR Trigger set to T1,T2 – the output will turn on when either Trigger 1 or Trigger 2 is activated.

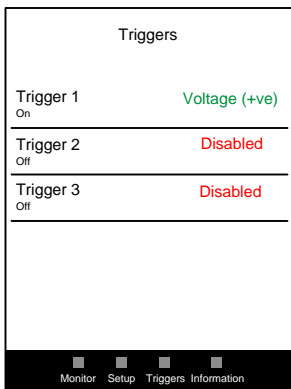


Examples

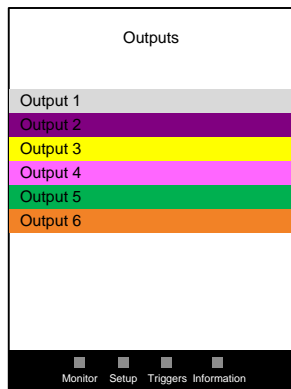
Ignition trigger only. Outputs 1-6 will turn on and off with ignition. Connect the Red (+) wire to the battery before the black ground.



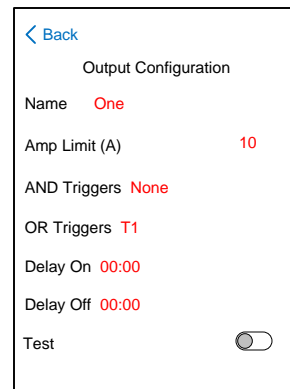
Configure the Amplink PDM using the App



Configure the trigger page as shown, then proceed to the Setup page by tapping Setup on the bottom of the screen



On the Setup page tap each output to open the configuration page.

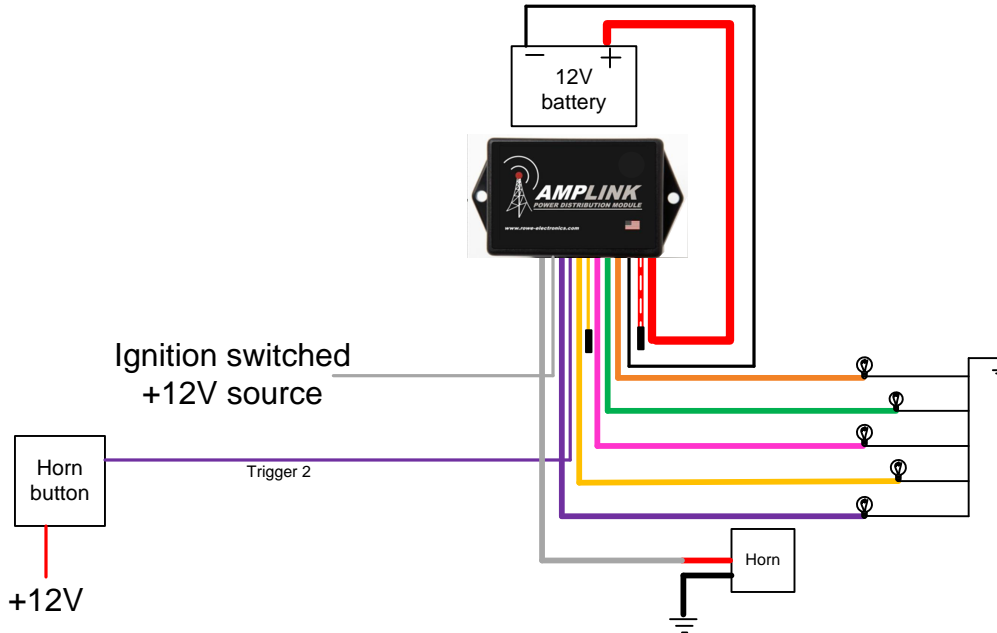


In the Configuration page set the triggers as shown. You can also set the output name, amp limit and delay times. When finished tap the < Back button and proceed to the next output. Set the triggers as shown on each output

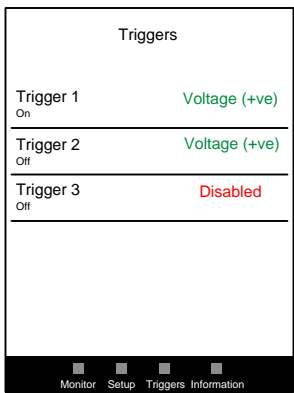


Examples

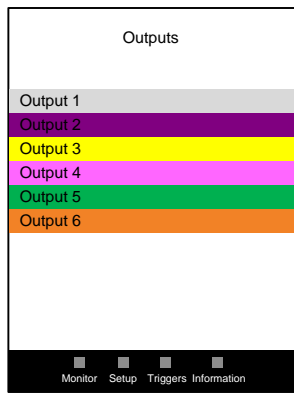
Ignition triggered outputs and Horn output. Outputs 2-6 will turn on and off with ignition, Output 1 will turn on when the ignition is on and the horn button is pressed.



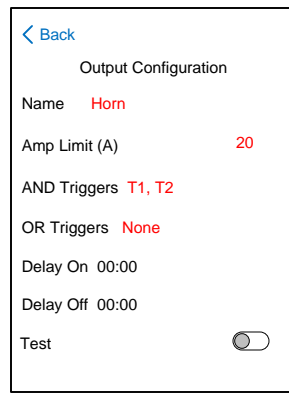
Configure the Amplink PDM using the App



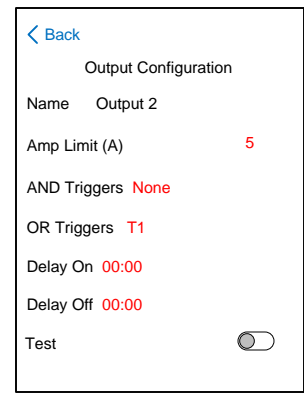
Configure the trigger page as shown, then proceed to the Setup page by tapping Setup on the bottom of the screen



On the Setup page tap each output to open the configuration page.



In the Configuration page for output 1 (horn), set the triggers as shown. You can also set the output name and amp limit. When finished tap the < Back button and proceed to the next output.



In the Configuration page for outputs 2-6, set the triggers as shown. You can also set the output name, amp limit and delay times. When finished tap the < Back button and proceed to the next output.



Thank You for purchasing the Amplink PDM

For questions please contact us through the
rowe-electronics.com website or
call 515-981-5504

WARRANTY POLICY

We warrant our products to be free from manufacturing and material defects for a period of one year from the date of purchase. Proof of purchase is required for warranty claims. This warranty covers parts and our labor for those parts to be replaced or repaired at a service facility we designate.

Please contact your dealer or Rowe Electronics, Inc. Specific directions will be provided. If we determine the problem is covered under warranty, we will either repair or replace the product. We are not responsible for, nor will we reimburse, any expense for labor to remove or reinstall any product. Shipping costs to the designated facility are not included in the warranty coverage. The warranty is voided by customer abuse, accidental damage, modifications, natural disasters or similar events.



**339 Hakes Drive
Norwalk, IA 50211
515-981-5504**

www.rowe-electronics.com

e-mail: info@rowe-electronics.com